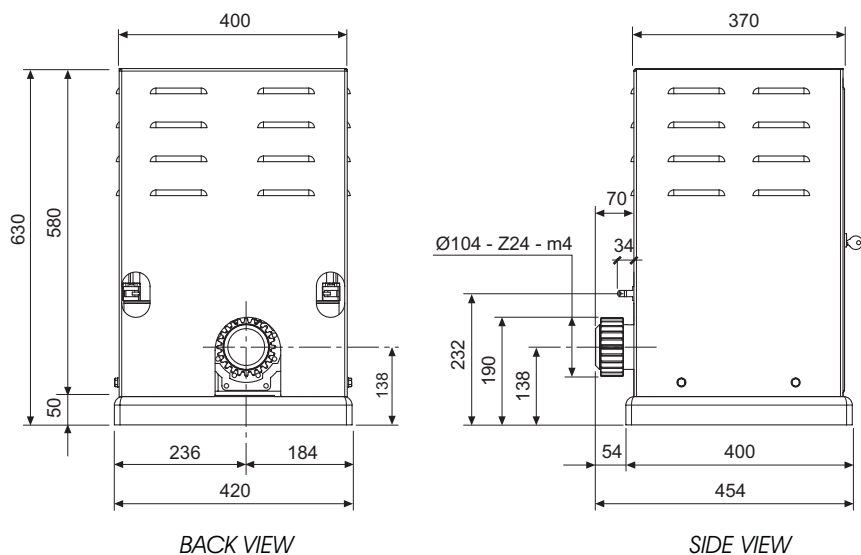


OVERALL DIMENSIONS



"FIBO 300" is an electro-mechanical, 1.5 HP (1.1 KW), three-phase geared motor for large, heavy industrial sliding gates up to 1'500 Kg of weight.

This operator is quite compact and secure, in fact the housing is large enough to incorporate the electronic control board Elpro 220 on request (in a fully sealed enclosure made of polycarbonate), and the limit switches besides the gear box; all these components are enclosed and protected in a solid metal casing, that can be accessed only by a custom's toothed key. The main gear assembly, that is the screw gearing, is made of steel and bronze and is in an oil bath, entirely supported by bearings, making "FIBO 300" strong and reliable; but not only this, this unit is also absolutely safe, torque is controlled by a mechanical clutch system that can be adjusted to the specific type of gate to be automated.

The electric motor is vertically fitted, so that there is enough space left to install the power control box in the front to facilitate the connections and servicing. The two limit switches, for opening and closing cycles respectively, are weather-proof and can withstand any environment conditions.

In case of power failure "FIBO 300" can be released for the manual operation of the gate by a spanner, size 27, supplied with the equipment.

It is quick to be fixed to the ground by means of expanding bolts or anchoring bolts (not supplied). Suitable holes are provided in the base plate for bolt fitting and cable leading.

"FIBO 300" can be fully automatically controlled by Elpro 220, the electronic control unit, to which other accessories can be connected, such as hand-held transmitters, photo cells, safety edges via radio link and flashing light, making the whole system absolutely perfect and safe.

TECHNICAL SPECIFICATIONS

ELECTRIC MOTORS

Power output	1.1KW (1.5HP)
Absorbed power	1'500W
Three-phase supply voltage	230/400V
Frequency	50Hz
Absorbed current	5.1/3A
Motor rotation speed	1'400 r.p.m.
Intermittent service	S1
Cooling	by fan

ELECTRO-MECHANICAL GEARED OPERATOR

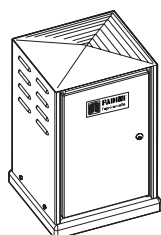
Ratio	1/32
Output revolutions	40.7 r.p.m.
Drive gear	Z24
Module	4.0
Maximal nominal torque	128 Nm
Transfer speed	12 m/1'
Hydraulic oil type	Oil Fadini
Working temperature	-25°C +80°C
Fibo 300 weight	65 Kg
Maximum gate weight	1'500 Kg
Protection standard	IP 557

PERFORMANCE

Service cycle: 25s opening - 30s dwell - 25s closing - 30s dwell	
Complete cycle time	110 s
Complete Opening - Dwell - Closing - Dwell cycles ..	No.33/hour
Annual cycles (with 8 hours of use per day)	No.96'000



FADINI
the gate opener
Made in Italy



Drwg. No. **3742**

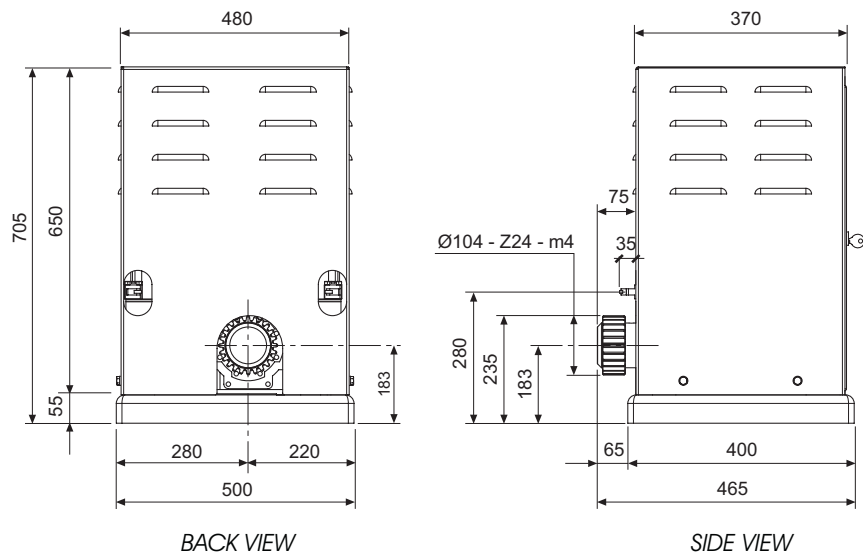
TECHNICAL DATA TABLE

**ELECTRO-MECHANICAL
SLIDING GATE OPERATOR**

FIBO 300



OVERALL DIMENSIONS



"FIBO 400" is an electro-mechanical, 3.0 HP (2.2 KW), three-phase geared motor for large, heavy industrial sliding gates up to 4'000 Kg of weight.

This operator is quite compact and secure, in fact the housing is large enough to incorporate the geared motor, the electronic control board Elpro 220 on request (in a fully sealed enclosure made of polycarbonate), and the limit switches; all these components are enclosed and protected in a solid metal casing, that can be accessed only by a custom's toothed key. The screw gearing is made of steel and bronze and is in an oil bath, entirely supported by bearings, making "FIBO 400" strong and reliable; but not only this, the unit is also absolutely safe, torque is controlled by a mechanical clutch system that can be adjusted to the specific type of gate to be automated.

The electric motor is vertically fitted, so that there is enough space left to install the power control box in the front to facilitate the connections and servicing. The two limit switches, for the opening and closing cycles respectively, are weather-proof and can withstand any environment conditions.

In case of power failure "FIBO 400" can be released for the manual operation of the gate by a spanner, size 32, supplied with the equipment.

It is quick to be fixed to the ground by means of expanding bolts or anchoring bolts (not supplied). Suitable holes are provided in the base plate for bolt fitting and cable leading.

"FIBO 400" can be fully controlled automatically by Elpro 220, the electronic control unit, to which other accessories can be connected, such as remote controls, photo cells, wire-less safety edges and flashing light, making the whole system absolutely perfect and safe.

TECHNICAL SPECIFICATIONS

ELECTRIC MOTORS

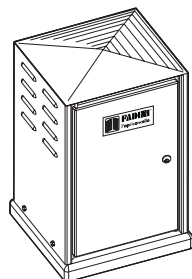
Power output	2.2KW (3.0HP)
Absorbed power	2'800W
Three-phase supply voltage	230/400V
Frequency	50Hz
Absorbed current	9.4/5.4A
Motor rotation speed	1'400 r.p.m.
Intermittent service	S3
Cooling	by fan

ELECTRO-MECHANICAL GEARED OPERATOR

Ratio	1/42
Output revolutions	33.8 r.p.m.
Drive gear	Z24
Module	4.0
Maximal nominal torque	311.4 Nm
Transfer speed	10.2 m/1'
Hydraulic oil type	Oil Fadini
Working temperature	-20°C +80°C
Fibo 400 weight	105 Kg
Maximum gate weight	4'000 Kg
Protection standard	IP 557

PERFORMANCE

Service cycle: 60s opening - 30s dwell - 60s closing - 30s dwell	
Complete cycle time	180 s
Complete Opening - Dwell - Closing - Dwell cycles ..	No.20/hour
Annual cycles (with 8 hours of use per day)	No.57'000



the gate opener
Made in Italy



Drwg. No. **3379**

TECHNICAL DATA TABLE

**ELECTRO-MECHANICAL
SLIDING GATE OPERATOR**

FIBO 400

